



Certifications & Ratings

- RoHS compliant

Application

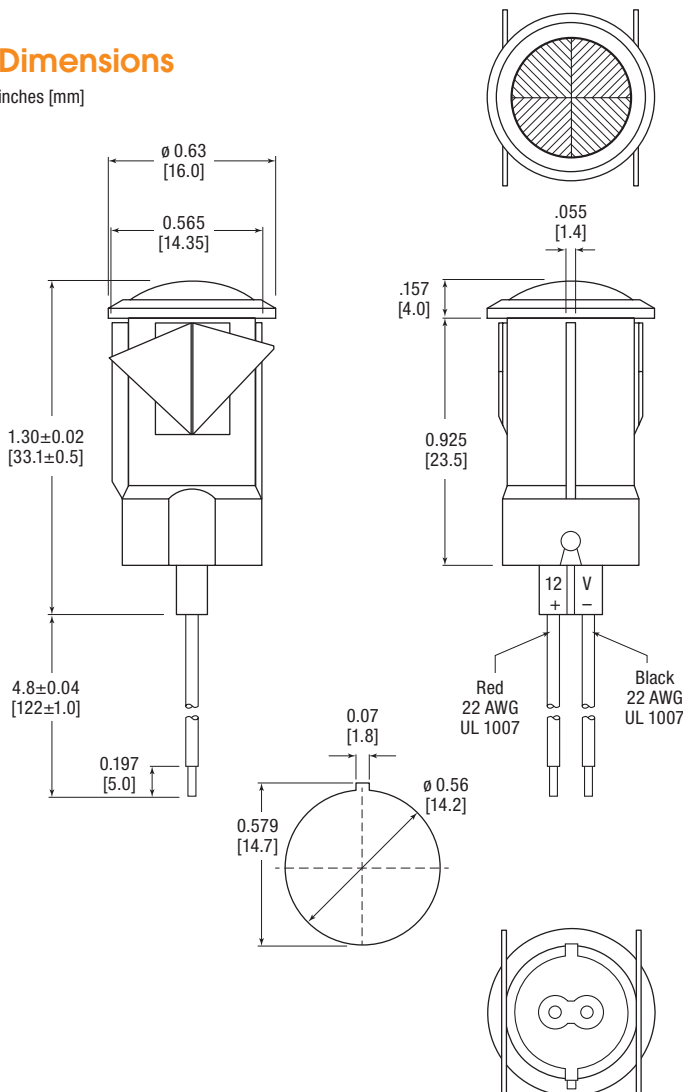
The 653 Series LED Panel Mount Indicators are designed with the unique feature of flexible tabs that allow for mounting to panels of thicknesses ranging from 0.027" (0.7 mm) to 0.138" (3.5 mm). They are ideal for a variety of applications, such as:

- Main power indication
- Remote power indication
- Status indication
- Maintenance and warning indication
- Instrumentation

... and many more!

Dimensions

inches [mm]



Mechanical Information

Mounting Hole Size: 0.579" (14.7 mm)

Max Panel Thickness: 0.138" (3.5 mm)

Specifications

Voltage Options: 12 & 24 VDC (no resistor required)

Operating temp: -20°C to +80°C (-4°F to +176°F)

Storage Temp: -20°C to +80°C (-4°F to +176°F)

Electrical Connection: 5" wire leads

Housing: Polycarbonate

Wire Leads: 22 AWG

| Dialight P/N | Color | Voltage (V DC) | Current (mA) | Typical Intensity (mcd) |
|---------------|--------|----------------|--------------|-------------------------|
| 653-1103-103F | Red | 12 | 20 | 845 |
| 653-1203-103F | Green | | | 600 |
| 653-1303-103F | Yellow | | | 465 |
| 653-1403-103F | Blue | | | 390 |
| 653-1104-103F | Red | 24 | 20 | 845 |
| 653-1204-103F | Green | | | 600 |
| 653-1304-103F | Yellow | | | 465 |
| 653-1404-103F | Blue | | | 390 |



